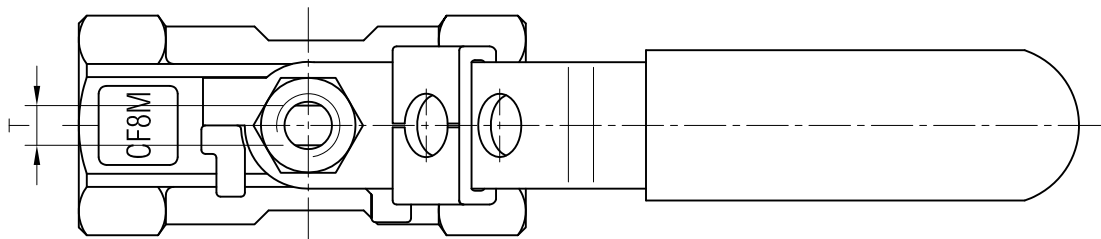


Ra
0.2
1.6
6.3
25
JIS

±0.1
±0.2
±0.3
±0.5
±0.8
GENERAL TOLERANCE

E-mail: haitima@seed.net.tw
www.haitima.com.tw
TAIWAN R.O.C.
Tel: +886-2-26585800
Fax: +886-2-26582266

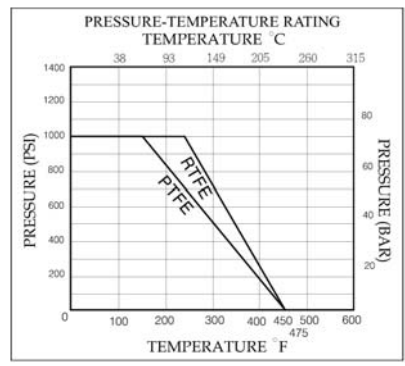
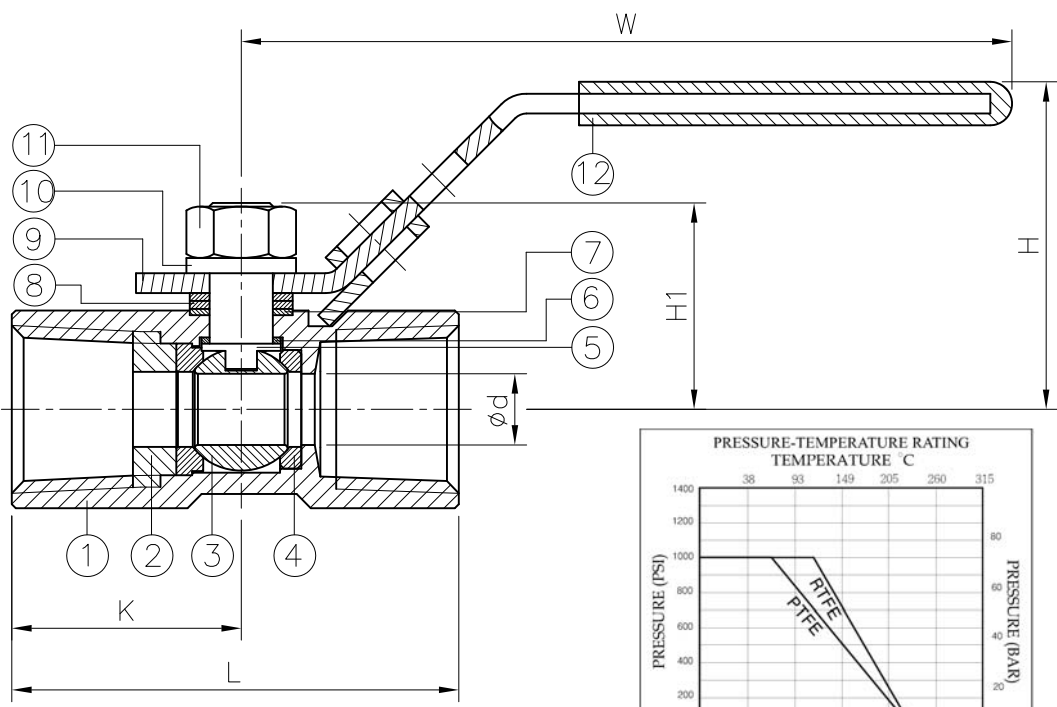


DN	d	L	H	H1	T	W	K	Torque (N-m)	Weight (kg)
8	5	39	38	17	3	61.7	20	0.8	0.1
10	7	44	41.1	21.4	4	73.5	23	1	0.1
15	9	56.5	40.6	26.1	5	94.7	29	1.2	0.2
20	12.5	59	44.1	28.8	5	94.7	29	1.8	0.3
25	15	71	56.5	36.5	6	112	35	3	0.4

unit:mm

NPS	d	L	H	H1	T	W	K	Torque (in-lb)	Weight (lb)
1/4"	0.2	1.54	1.5	0.67	0.12	2.43	0.79	7.1	0.2
3/8"	0.28	1.73	1.62	0.84	0.16	2.89	0.91	8.9	0.2
1/2"	0.35	2.22	1.6	1.03	0.2	3.73	1.14	10.6	0.4
3/4"	0.49	2.32	1.74	1.13	0.2	3.73	1.14	15.9	0.7
1"	0.59	2.8	2.22	1.44	0.24	4.39	1.38	25.7	0.9

unit:in



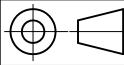
ITEM	PARTS	MATERIAL	
1	BODY	ASTM A351-CF8M	ASTM A216-WCB
2	RETAINER		
3	BALL	ASTM A351-CF8M	
4	BALL SEAT	PTFE / RTFE	
5	STEM	ASTM A276-316	
6	THRUST WASHER	PTFE	
7	PACKING		
8	FALT WASHER	AISI 304	
9	HANDLE		
10	SPRING WASHER		
11	NUT	PVC	
12	HANDLE SLEEVE		

△			
△			
△			
Revise	Description	Date	Approve

DRAWING NO. **2017K020HD -13**



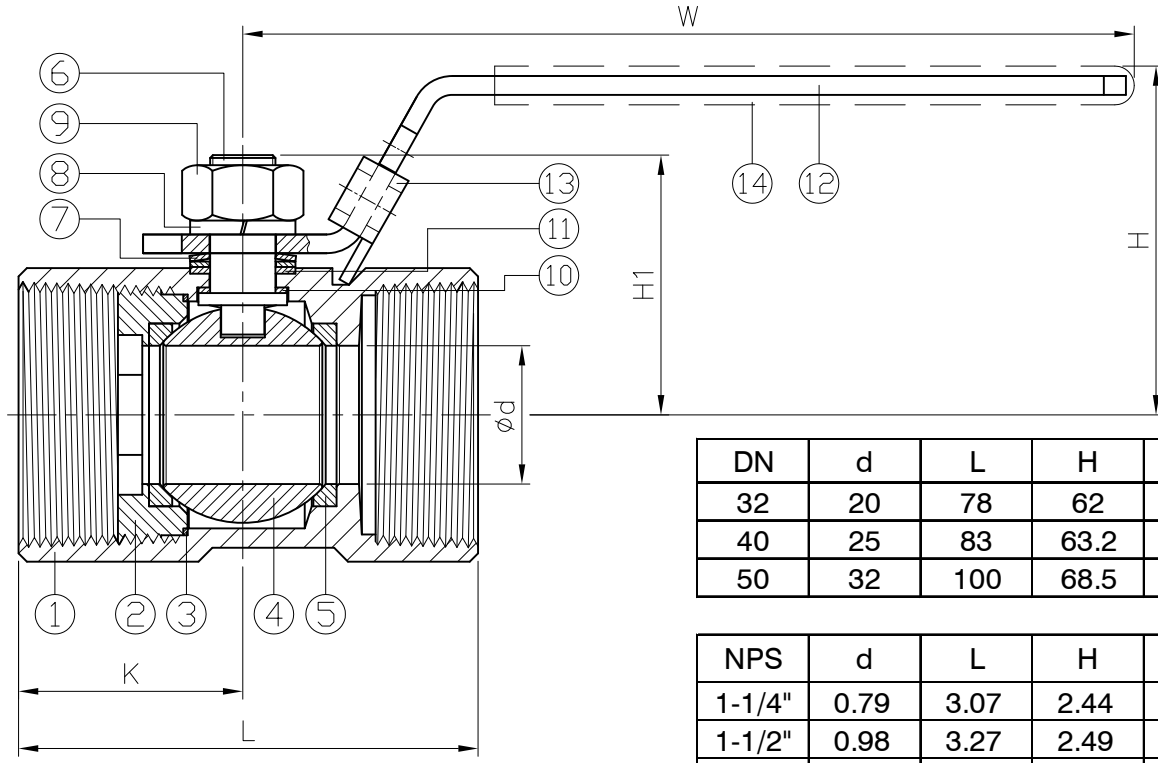
CHECK BY	DRAWING BY	DATE	SPECIFICATION	1-PC Screwed End Ball Valve 1000 WOG
	<i>Ray</i>	Jan.28.2013	MATERIAL	CF8M/WCB
			PROCESS/Nr.	
			UNIT / SCALE	mm



Ra	0.2	1.6	6.3	25	0.1	±0.1
JIS	▽▽▽	▽▽	▽	▽	GENERAL TOLERANCE	
					0.5~5	±0.2
					6~30	±0.3
					31~120	±0.5
					121~320	±0.8
					321~1000	±0.8

HAITIMA CORPORATION
 P.O. BOX 34-36 TAIPEI
 Tel: +886-2-26585800

E-mail: haitima@seed.net.tw
 TAIWAN R.O.C. www.haitima.com.tw
 Fax: +886-2-26582266



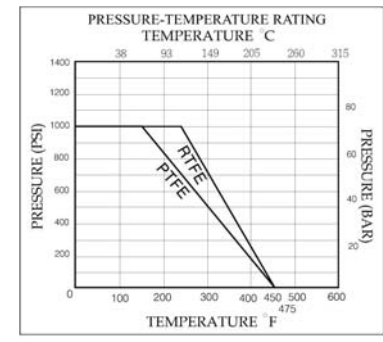
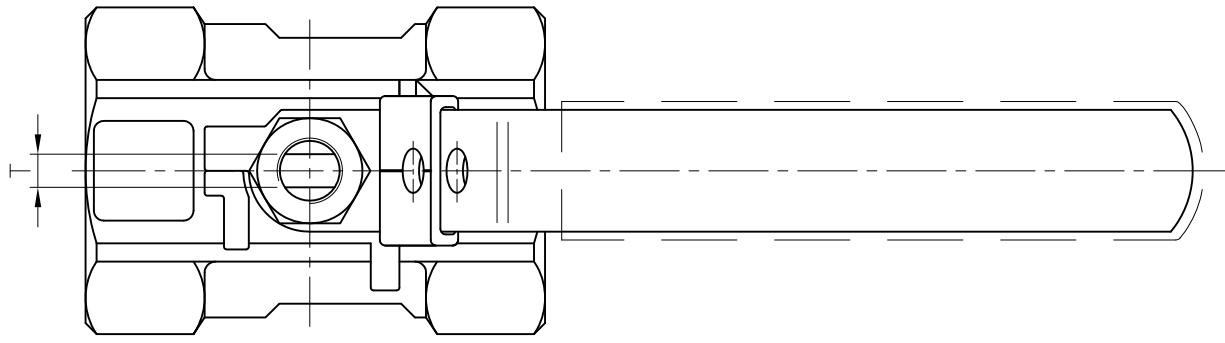
ITEM	PARTS	MATERIAL	
1	BODY	ASTM A351-CF8M	ASTM A216-WCB
2	RETAINER		
3	BODY SEAL	PTFE	
4	BALL	ASTM A351-CF8M	
5	BALL SEAT	PTFE / RTFE	
6	STEM	ASTM A276-316	
7	FLAT WASHER	AISI 304	
8	SPRING WASHER		
9	STEM NUT	PTFE	
10	THRUST WASHER		
11	PACKING	AISI 304	
12	HANDLE		
13	LATCH LOCK	PVC	
14	HANDLE SLEEVE		

DN	d	L	H	H1	W	T	K	Torque (N-m)	Weight (kg)
32	20	78	62	40.5	112.5	6	38	4.9	0.7
40	25	83	63.2	46.5	160	8	40.5	7.4	0.9
50	32	100	68.5	51	160.5	8	49	8.8	1.4

unit:mm

NPS	d	L	H	H1	W	T	K	Torque (in-lb)	Weight (lb)
1-1/4"	0.79	3.07	2.44	1.59	4.43	0.24	1.5	43.4	1.5
1-1/2"	0.98	3.27	2.49	1.83	6.3	0.31	1.59	65.1	2
2"	1.26	3.94	2.7	2.01	6.32	0.31	1.93	78.1	3.1

unit:in



△			
△			
△			
Revise	Description	Date	Approve
DRAWING NO.		2017K021HD -13	

HAITIMA CORPORATION
Ball Valves

CHECK BY	DRAWING BY	DATE	SPECIFICATION	1-PC Screwed End Ball Valve 1000 WOG
	Ray	Jan.28.2013	MATERIAL	CF8M/WCB
			PROCESS/Nr.	
			UNIT / SCALE	mm