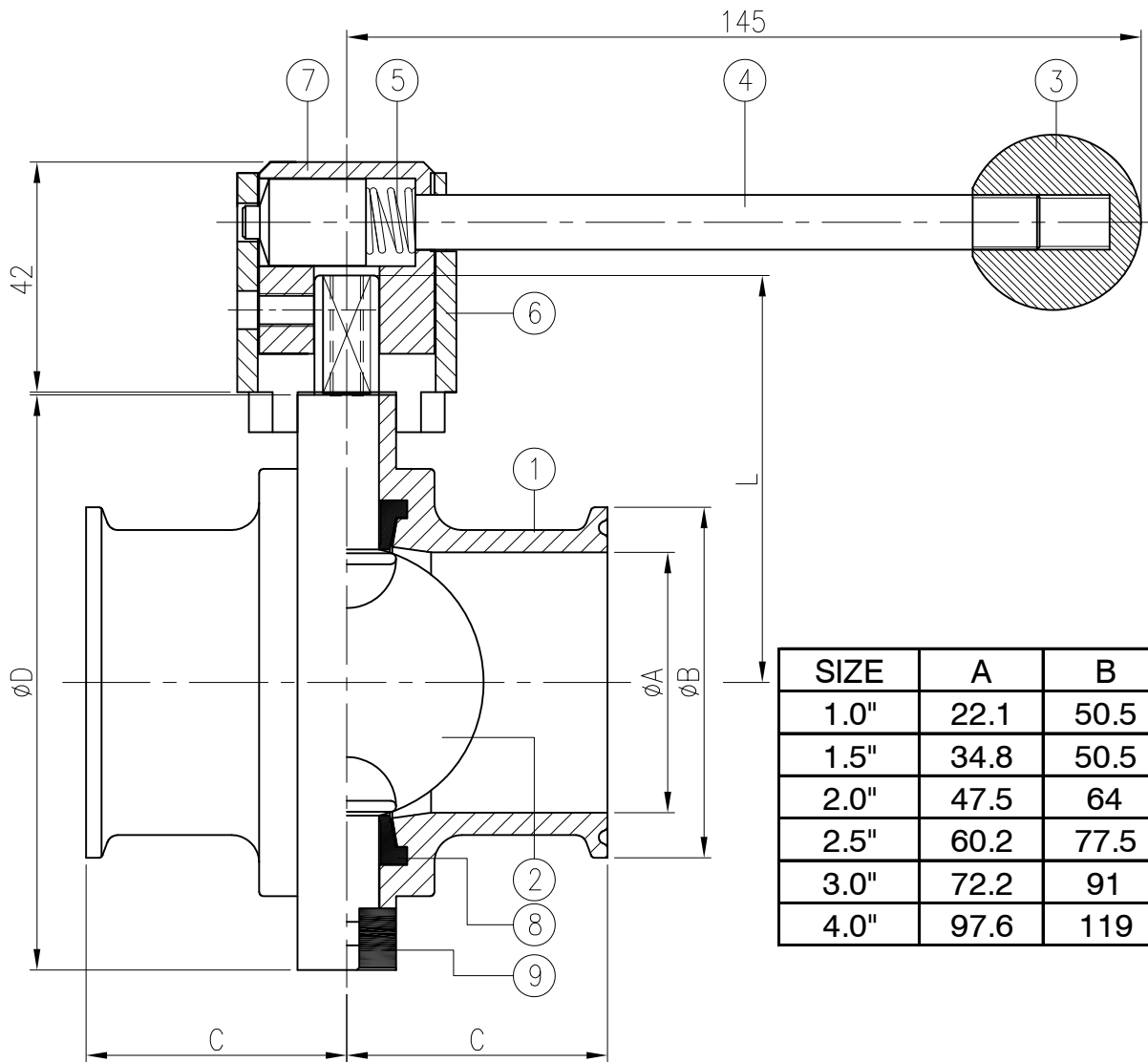


Ra	0.2	▽▽▽
	1.6	▽▽
	6.3	▽
	25	▽
GENERAL TOLERANCE	±0.1 ±0.2 ±0.3 ±0.5 ±0.8	0.5~5 6~30 31~120 121~320 321~1000

HAITIMA CORPORATION
 P.O.BOX 34-36 TAIPEI
 Tel:+886-2-26585800
 E-mail:haitima@seed.net.tw
 www.haitima.com.tw
 TAIWAN R.O.C.
 Fax:+886-2-26582266



ITEM	PARTS	MATERIAL
1	BODY	316L
2	DISC	
3	KNOB	BAKELITE
4	STEEL-BAR	304
5	ST.ST SPRING	
6	ST.ST	
7	HOLDER	
8	RUBBER SEAT	EPDM / SILICON / VITON / NBR
9	SCREW BOLT	304

SIZE	A	B	C	D	L	H	Weight(Kg)
1.0"	22.1	50.5	33	79	61	81.7	1.7
1.5"	34.8	50.5	33	85	64.3	85	1.8
2.0"	47.5	64	35	105	74.3	95	1.9
2.5"	60.2	77.5	35	112	77.6	98.3	2.2
3.0"	72.2	91	38	125	84.3	105	2.4
4.0"	97.6	119	38	157	101.6	122.3	3.5

unit:mm

△			
△			
△			
Revise	Description	Date	Approve
DRAWING NO.		CS24-03	
		- 12	

HAITIMA CORPORATION
 Ball Valves

CHECK BY	DRAWING BY	DATE	SPECIFICATION	3A Clamp / Clamp Butterfly Valve
	Ray	Sep.24.2012	MATERIAL	316L
			PROCESS/Nr.	
			UNIT / SCALE	mm

