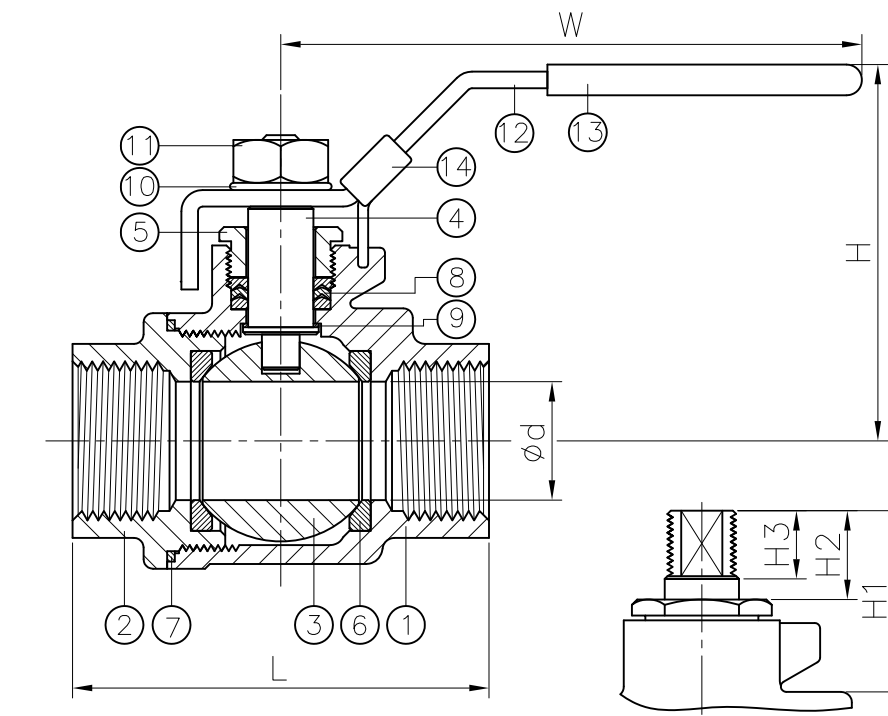
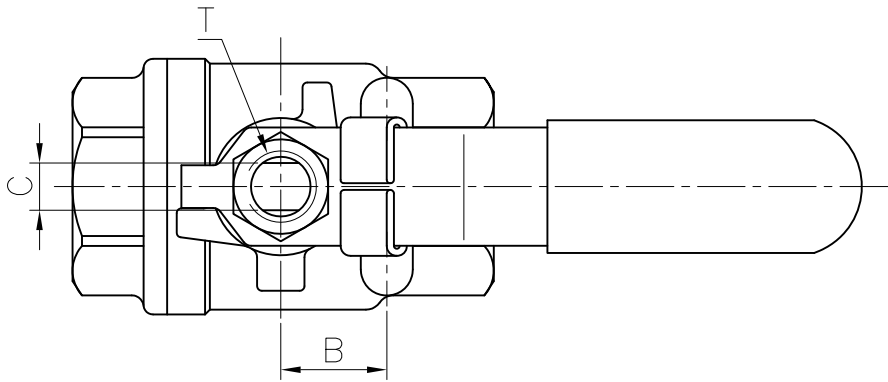


Ra	0.2	1.6	6.3	25	0.1	0.5~5
JIS	▽▽▽	▽▽	▽	▽	GENERAL TOLERANCE	6~30
	▽▽▽	▽▽	▽	▽		31~120
	▽▽▽	▽▽	▽	▽		121~320
	▽▽▽	▽▽	▽	▽		321~1000
	▽▽▽	▽▽	▽	▽		±0.2
	▽▽▽	▽▽	▽	▽		±0.3
	▽▽▽	▽▽	▽	▽		±0.5
	▽▽▽	▽▽	▽	▽		±0.8

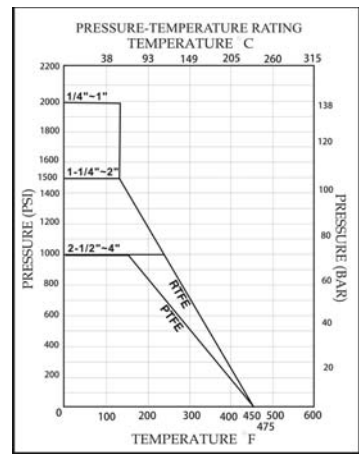


DN	d	L	H	W	C	H1	H2	H3	T	Torque (N-m)	Weight (kg)
8	11.6	60.5	50	102	5	23	16	10.5	5/16"W	4.1	0.3
10	13	60.5	50	102	5	23	16	10.5	5/16"W	4.1	0.3
15	15	64	50	102	5	23	17	10.5	5/16"W	4.4	0.3
20	20	77	62	120	6.5	29	22	13.5	3/8"W	5.9	0.6
25	25	90	75.5	159	8	34	24	15.5	7/16"W	7.4	0.8
32	32	100	81	159	8	34	22	15.5	7/16"W	8.8	1.3
40	38	118	98	188	9	39	26	17.5	1/2"W	13.2	2
50	50	138	108	188	9	39	26	17.5	1/2"W	16.2	3.1
65	65	166.5	136	245	12	58	42	30.5	3/4"W	44.1	6
80	80	193	147	245	12	58	40	30.5	3/4"W	46.6	10.1
100	100	260	183	320	16	84	58	42	1"W	-	-

unit:mm

NPS	d	L	H	W	C	H1	H2	H3	T	Torque (in-lb)	Weight (lb)
1/4"	0.46	2.38	1.97	4.02	0.2	0.91	0.63	0.41	5/16"W	36	0.6
3/8"	0.51	2.38	1.97	4.02	0.2	0.91	0.63	0.41	5/16"W	36	0.6
1/2"	0.59	2.52	1.97	4.02	0.2	0.91	0.67	0.41	5/16"W	39	0.7
3/4"	0.79	3.03	2.44	4.72	0.26	1.14	0.87	0.53	3/8"W	52	1.2
1"	0.98	3.54	2.97	6.26	0.31	1.34	0.94	0.61	7/16"W	65.1	1.9
1-1/4"	1.26	3.94	3.19	6.26	0.31	1.34	0.87	0.61	7/16"W	78.1	2.8
1-1/2"	1.5	4.65	3.86	7.4	0.35	1.54	1.02	0.69	1/2"W	116.8	4.4
2"	1.97	5.43	4.25	7.4	0.35	1.54	1.02	0.69	1/2"W	143.4	6.9
2-1/2"	2.56	6.56	5.35	9.65	0.47	2.28	1.65	1.2	3/4"W	390.3	13.2
3"	3.15	7.6	5.79	9.65	0.47	2.28	1.57	1.2	3/4"W	412.4	22.3
4"	3.94	10.24	7.2	12.6	0.63	3.31	2.28	1.65	1"W	-	-

unit:in



1/4"~1" 2000WOG  
 1-1/4"~2" 1500WOG  
 2-1/2"~4" 1000WOG

ITEM	PARTS	MATERIAL
1	BODY	ASTM A351-CF8M / ASTM A216-WCB
2	CAP	
3	BALL	ASTM A351-CF8M
4	STEM	ASTM A276-316
5	GLAND NUT	AISI 304
6	BALL SEAT	PTFE / RTFE
7	BODY SEAL	PTFE
8	PACKING	PTFE / RTFE
9	THRUST WASHER	PTFE
10	SPRING WASHER	AISI 304
11	NUT	
12	HANDLE	
13	HANDLE SLEEVE	PVC
14	LOCK DEVICE	AISI 304

E-mail: haitima@ms8.hinet.net  
 TAIWAN R.O.C. www.haitima.com.tw  
 Fax:886-2-26582266

HAITIMA CORPORATION  
 P.O.BOX 34-36 TAIPEI  
 Tel:886-2-26585800



CHECK BY	DRAWING BY	DATE	SPECIFICATION	2-PC Screwed End Ball Valve
	Ray	Jan.28.2013	MATERIAL	CF8M/WCB
			PROCESS/Nr.	
			UNIT / SCALE	mm

△			
△			
△			
Revise	Description	Date	Approve
DRAWING NO.		2006017HL -13	